

Flagmore[®]

Effective visibility

Flagpoles and accessories

2017

CONTENTS	1
FLAGPOLES	2
FLAGMORE NORDIC POLES 3-18 m	A
• Nordic external	
• Nordic linus	
• Nordic winch	
• Nordic for Banner Bar (no cleatholes)	
• Datasheet	
FLAGMORE PRO POLES 3-18 m	B
• Pro external	
• Pro linus	
• Pro winch	
• Pro for Banner Bar (no cleatholes)	
• Datasheet	
FLAGMORE SQUARE POLES 6-12 m	C
• Square external	
• Square linus	
• Square winch	
• Datasheet	
OTHER FLAGPOLES	3
• Flagmore Action poles 6-12 m	
OPTIONS FOR FLAGPOLES	4
• Special color	
• Split poles	
• Extra reinforcement	
• Marina mast	
• Custom poles	
• Safety wire	
WALL ATTACHMENTS	5
• Wall mounted flagpoles	
• Vertical wall attachment for Nordic and Pro poles	
• Vertical wall attachment for Action poles	
• Wallbracket 45 degrees	
• Wallbracket 60 degrees	
• Wallbracket 75 degrees	
• Rollover	
ACCESSORIES SETS	6
ACCESSORIES IN SETS	A
• Contents of the accessories boxes	
• Contents of the finial boxes	
• Contents of the ground attachments	
FINIAL BOXES	B
• Standard finial boxes for external halyard	
• Standard finial boxes for linus	
• Standard finial boxes for winch	
BANNER BAR AND BANNER LIFT	C
• Banner bar	
• Banner lift	
• Accessories and spare parts for banner bar and banner lift	

ACCESSORIES	7
FINIALS AND SOCKETS	A
• Standard finials	
• Other finials	
• Sockets and truckheads for finials	
GROUND ATTACHMENTS	B
• Ground attachments	
• Flash collars for ground attachments	
• Ground tubes	
OTHER ACCESSORIES	C
• Weights	
• Winches	
• Linuses	
• Clips and snap-hooks	
• Cleats	
• Halyard Ø 5 mm	
• Internal halyard Ø 4 mm	
NEW PRODUCTS	8
• Concrete bases and foot covers	
• Indoor plate	
• Banner saver	
RECOMMENDED FLAG SIZES AND WIND STRENGTHS	9

Flagmore Nordic

Flagpole 3-18 meters

After several years of testing, our Nordic flagpole is a winner with its shield-formed base. The ground plate has the same shield-like form as the base of the pole. The Nordic pole is intended for use with national flags and pennants.

Strength tests are carried out continuously by (SP) the Swedish National Testing and Research Institute. The inventive construction with hinged pole makes the flagpole easy to lower and to raise.

External halyard system

Flagpoles are delivered complete with steel base and cleat holes.



Flagpole Nordic 3-12 m



Flagpole Nordic 3-12 m



Flagpole Nordic 14-18 m



Flagpole Nordic 14-18 m



Accessories Box Nordic 3-12 m

Art.no.	Length	Description	Top Ø / Base Ø	Weight
03210	3 m	Flagpole 3 m Nordic	65 mm / 103 mm	9 kg
04210	4 m	Flagpole 4 m Nordic	65 mm / 113 mm	11 kg
05210	5 m	Flagpole 5 m Nordic	65 mm / 118 mm	13 kg
06210	6 m	Flagpole 6 m Nordic	65 mm / 120 mm	15 kg
07210	7 m	Flagpole 7 m Nordic	65 mm / 120 mm	16 kg
08210	8 m	Flagpole 8 m Nordic	65 mm / 120 mm	18 kg
09210	9 m	Flagpole 9 m Nordic	65 mm / 120 mm	19 kg
10210	10 m	Flagpole 10 m Nordic	65 mm / 140 mm	29 kg
11210	11 m	Flagpole 11 m Nordic	65 mm / 140 mm	31 kg
12210	12 m	Flagpole 12 m Nordic	65 mm / 140 mm	34 kg
14210	14 m	Flagpole 14 m Nordic	65 mm / 175 mm	62 kg
16210	16 m	Flagpole 16 m Nordic	65 mm / 175 mm	75 kg
18210	18 m	Flagpole 18 m Nordic	65 mm / 175 mm	80 kg

Accessories box for NORDIC external halyard flagpole

Accessories box consists of ground plate, 3 anchor rods 50 cm M20 (4 x 50 cm M20 for 14-18 m), nuts set, assembly instructions, standard finial of your choice, plastic sleeve, plastic cleat with screws, halyard, 2 plastic hooks.

Art.no.	Length	Description	Weight
40001	3 – 12 m	Accessories box 3-12 m – golden onion 135 mm	6,1 kg
40001-1	3 – 12 m	Accessories box 3-12 m – silver onion 135 mm	6,1 kg
40001-2	3 – 12 m	Accessories box 3-12 m – white flat 160 mm	6,1 kg
40001-3	3 – 12 m	Accessories box 3-12 m – grey flat 160 mm	6,1 kg
40001-4	3 – 12 m	Accessories box 3-12 m – white onion 135 mm	6,1 kg
40056-0	14 – 18 m	Accessories box 14-18 m – golden onion 135 mm	8,4 kg
40056-1	14 – 18 m	Accessories box 14-18 m – silver onion 135 mm	8,4 kg
40056-2	14 – 18 m	Accessories box 14-18 m – white flat 160 mm	8,4 kg
40056-3	14 – 18 m	Accessories box 14-18 m – grey flat 160 mm	8,4 kg
40056-4	14 – 18 m	Accessories box 14-18 m – white onion 135 mm	8,4 kg

Metal lock / linus system

Metal lock/linus is a manual internal halyard system with a lockable hatch. Inside the hatch there is a rope lock that secures the halyard. A comfortable way to raise the flag.

Flagpole is delivered complete with lockable hatch, 2 keys, halyard and steel base.



Linus pole

Art.no.	Length	Description	Top Ø / Base Ø	Weight
06220	6 m	Flagpole 6 m Nordic linus	65 mm / 120 mm	25 kg
07220	7 m	Flagpole 7 m Nordic linus	65 mm / 120 mm	27 kg
08220	8 m	Flagpole 8 m Nordic linus	65 mm / 120 mm	29 kg
09220	9 m	Flagpole 9 m Nordic linus	65 mm / 120 mm	31 kg
10220	10 m	Flagpole 10 m Nordic linus	65 mm / 140 mm	39 kg
11220	11 m	Flagpole 11 m Nordic linus	65 mm / 140 mm	42 kg
12220	12 m	Flagpole 12 m Nordic linus	65 mm / 140 mm	45 kg
14220	14 m	Flagpole 14 m Nordic linus	65 mm / 175 mm	63 kg
16220	16 m	Flagpole 16 m Nordic linus	65 mm / 175 mm	76 kg
18220	18 m	Flagpole 18 m Nordic linus	65 mm / 175 mm	81 kg

Accessories box for NORDIC linus flagpole

Accessories box consists of ground plate, anchor rods, nuts set, assembly instructions, standard finial of your choice, sleeve, ring weight, rust-free snap-hook and small plastic ball.



Accessories Box Nordic linus 3-12m

Art.no.	Length	Description	Weight
40002	3 – 12 m	Accessories box 3-12m linus – golden onion	7 kg
40004	3 – 12 m	Accessories box 3-12m linus – silver onion	7 kg
40004-1	3 – 12 m	Accessories box 3-12m linus – white onion	7 kg
40006	3 – 12 m	Accessories box 3-12m linus – white flat	7 kg
40006-1	3 – 12 m	Accessories box 3-12m linus– grey flat	7 kg
40058-0	14 – 18 m	Accessories box 14-18m linus – golden onion	9,3 kg
40058-1	14 – 18 m	Accessories box 14-18m linus – silver onion	9,3 kg
40058-2	14 – 18 m	Accessories box 14-18m linus – white flat	9,3 kg
40058-3	14 – 18 m	Accessories box 14-18m linus – grey flat	9,3 kg
40058-4	14 – 18 m	Accessories box 14-18m linus – white onion	9,3 kg

Winch system

The winch system has a winch that moves the halyard inside the flagpole. Comfortable way to raise the flag and protect it against theft and sabotage.

Flagpole is delivered complete with internal winch, halyard and steel base.



Winch pole

Art.no.	Length	Description	Top Ø / Base Ø	Weight
06230	6 m	Flagpole 6 m Nordic winch	65 mm / 120 mm	26 kg
07230	7 m	Flagpole 7 m Nordic winch	65 mm / 120 mm	28 kg
08230	8 m	Flagpole 8 m Nordic winch	65 mm / 120 mm	30 kg
09230	9 m	Flagpole 9 m Nordic winch	65 mm / 120 mm	32 kg
10230	10 m	Flagpole 10 m Nordic winch	65 mm / 140 mm	40 kg
11230	11 m	Flagpole 11 m Nordic winch	65 mm / 140 mm	43 kg
12230	12 m	Flagpole 12 m Nordic winch	65 mm / 140 mm	46 kg
14230	14 m	Flagpole 14 m Nordic winch	65 mm / 175 mm	66 kg
16230	16 m	Flagpole 16 m Nordic winch	65 mm / 175 mm	79 kg
18230	18 m	Flagpole 18 m Nordic winch	65 mm / 175 mm	84 kg

Accessories box for NORDIC winch flagpole

Accessories box consists of ground plate, anchor rods, nuts set, assembly instructions, standard finial of your choice, sleeve, ring weight (chain weight for 14-18 m), rust-free snap-hook, small plastic ball and handle.



Accessories Box Nordic Winch 6-12m

Art.no.	Length	Description	Weight
40003	6 – 12 m	Accessories box winch – golden onion	7,2 kg
40003-1	6 – 12 m	Accessories box winch – white flat	7,2 kg
40003-2	6 – 12 m	Accessories box winch – silver onion	7,2 kg
40003-3	6 – 12 m	Accessories box winch – white onion	7,2 kg
40003-4	6 – 12 m	Accessories box winch – grey flat	7,2 kg
40057-0	14 – 18 m	Accessories big box winch – golden onion	9,5 kg
40057-1	14 – 18 m	Accessories big box winch – silver onion	9,5 kg
40057-2	14 – 18 m	Accessories big box winch – white flat	9,5 kg
40057-3	14 – 18 m	Accessories big box winch – grey flat	9,5 kg
40057-4	14 – 18 m	Accessories big box winch – white onion	9,5 kg

Nordic Banner Bar (no cleat holes)



Banner Bar box

Art.no.	Length	Description	Top Ø / Base Ø	Weight
960601	6 m	Flagpole 6 m Nordic for banner bar	65 mm / 120 mm	15 kg
970601	7 m	Flagpole 7 m Nordic for banner bar	65 mm / 120 mm	16 kg
980601	8 m	Flagpole 8 m Nordic for banner bar	65 mm / 120 mm	18 kg
990601	9 m	Flagpole 9 m Nordic for banner bar	65 mm / 120 mm	19 kg
100601	10 m	Flagpole 10 m Nordic for banner bar	65 mm / 140 mm	29 kg
110601	11 m	Flagpole 11 m Nordic for banner bar	65 mm / 140 mm	31 kg
120601	12 m	Flagpole 12 m Nordic for banner bar	65 mm / 140 mm	34 kg

Banner Bar box for NORDIC flagpole

Banner Bar box consists of instructions, standard finial of your choice, Banner Bar metal sleeve, 3 slings, ring weight, 2 Banner Bar screws and plastic fix lock. Ground attachment for Nordic and Banner Bar aluminium tube (22mm x 1,5m) are packed separately.

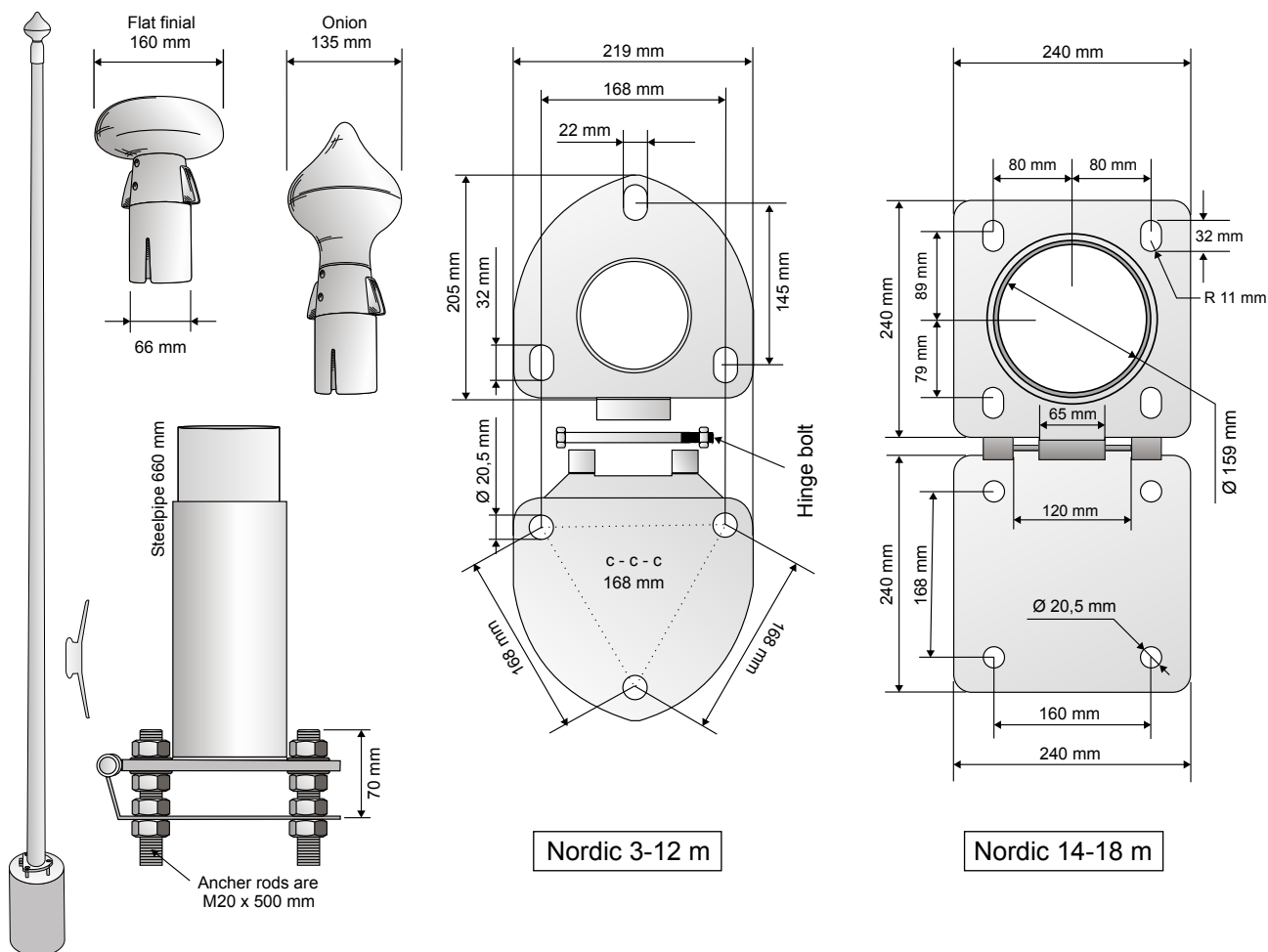


Banner bar box with white flat finial (without ground attachment)

Art.no.	Length	Description	Weight
44000	6 – 12 m	Banner Bar box for Nordic – gold onion	4 kg
44001	6 – 12 m	Banner Bar box for Nordic – silver onion	4 kg
44004	6 – 12 m	Banner Bar box for Nordic – white onion	4 kg
44002	6 – 12 m	Banner Bar box for Nordic – white flat	4 kg
44003	6 – 12 m	Banner Bar box for Nordic – grey flat	4 kg

Nordic technical datasheet

	3m	4m	5m	6m	7m	8m	9m	10m	12m	14m	16m	18m
top diameter (mm)	65	65	65	65	65	65	65	65	65	65	65	65
bottom diameter (mm)	88*	96*	100*	120	120	120	120	140	140	175	175	175
fiberglass thickness (mm)	3	3	3	3	3	3	3	3,5	3,5	4,5	4,5	4,5
cylindrical length (mm)	0	0	0	0	0	0	0	500	2500	5500	7500	9500
height to cleat/lock (mm)	1500	1500	1500	1500	1500	1500	1500	1500	1500	1500	1500	1500
height to winch (mm)	n/a	n/a	n/a	630	630	630	630	630	630	970	970	970
length of the steel tube (mm)	630	630	630	630	630	630	630	630	630	630	630	630
thickness of the steel tube (mm)	2,5	2,5	2,5	2,5	2,5	2,5	2,5	3	3	3	3	3
diameter of the steel tube (mm)	76	76	89	102	102	102	102	121	121	159	159	159



Flagmore PRO

Flagpole 3-18 meters for professional flagging

PRO flagpoles have been manufactured since 1958 and are of the finest quality; absolutely the market's strongest flagpole construction with a 15-year guarantee. Strength tests are carried out continuously by (SP) the Swedish National Testing and Research Institute. The inventive construction with hinged pole makes the flagpole easy to lower and to raise. See our option pages for a variety of option possibilities that fit your needs and desires.

External halyard system

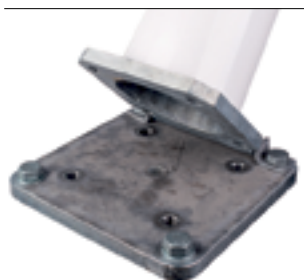
Flagpoles are delivered complete with steel base and cleat holes.



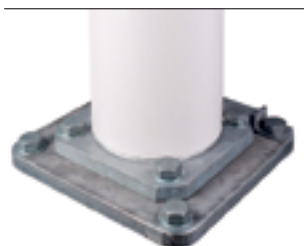
Flagpole Pro 3-12 m



Flagpole Pro 3-12 m



Flagpole Pro 14-18 m



Flagpole Pro 14-18 m



Accessories Box for Pro 3-12 m

Art.no.	Length	Description	Top Ø / Base Ø	Weight
03410	3 m	Flagpole 3 m Pro	65 mm / 103 mm	9 kg
04410	4 m	Flagpole 4 m Pro	65 mm / 113 mm	11 kg
05410	5 m	Flagpole 5 m Pro	65 mm / 118 mm	13 kg
06410	6 m	Flagpole 6 m Pro	65 mm / 120 mm	17 kg
07410	7 m	Flagpole 7 m Pro	65 mm / 120 mm	19 kg
08410	8 m	Flagpole 8 m Pro	65 mm / 120 mm	21 kg
09410	9 m	Flagpole 9 m Pro	65 mm / 120 mm	22 kg
10410	10 m	Flagpole 10 m Pro	65 mm / 140 mm	31 kg
11410	11 m	Flagpole 11 m Pro	65 mm / 140 mm	33 kg
12410	12 m	Flagpole 12 m Pro	65 mm / 140 mm	36 kg
14410	14 m	Flagpole 14 m Pro	65 mm / 175 mm	67 kg
16410	16 m	Flagpole 16 m Pro	65 mm / 175 mm	80 kg
18410	18 m	Flagpole 18 m Pro	65 mm / 175 mm	85 kg

Accessories box for PRO external halyard poles

Accessories box consists of ground plate, 3 anchor rods 50cm M20 (4 x 80 cm M20 for 14-18 m), nuts set, assembly instructions, standard finial of your choice, plastic sleeve, plastic cleat with screws, halyard, 2 plastic hooks.

Art.no.	Length	Description	Weight
40011	3 – 12 m	Accessories box 3-12 m – golden onion 135 mm	6,5 kg
40011-1	3 – 12 m	Accessories box 3-12 m – silver onion 135 mm	6,5 kg
40011-2	3 – 12 m	Accessories box 3-12 m – white flat 160 mm	6,5 kg
40011-3	3 – 12 m	Accessories box 3-12 m – grey flat 160 mm	6,5 kg
40011-4	3 – 12 m	Accessories box 3-12 m – white onion 135 mm	6,5 kg
40066*	14 – 18 m	Accessories box 14-18 m – golden onion 135 mm	24 kg
40066-1*	14 – 18 m	Accessories box 14-18 m – silver onion 135 mm	24 kg
40066-2*	14 – 18 m	Accessories box 14-18 m – white flat 160 mm	24 kg
40066-3*	14 – 18 m	Accessories box 14-18 m – grey flat 160 mm	24 kg
40066-4*	14 – 18 m	Accessories box 14-18 m – white onion 135 mm	24 kg

* Ground attachment packed separately

Metal lock / linus system

A manual internal halyard system has a lockable hatch. Inside the hatch there is a rope lock that secures the halyard. A comfortable way to raise the flag.

Flagpole is delivered complete with lockable hatch, 2 keys, halyard and steel base.



Linus pole

Art.no.	Length	Description	Top Ø / Base Ø	Weight
06420	6 m	Flagpole 6 m Pro linus	65 mm / 120 mm	19 kg
07420	7 m	Flagpole 7 m Pro linus	65 mm / 120 mm	21 kg
08420	8 m	Flagpole 8 m Pro linus	65 mm / 120 mm	23 kg
09420	9 m	Flagpole 9 m Pro linus	65 mm / 120 mm	24 kg
10420	10 m	Flagpole 10 m Pro linus	65 mm / 140 mm	32 kg
11420	11 m	Flagpole 11 m Pro linus	65 mm / 140 mm	35 kg
12420	12 m	Flagpole 12 m Pro linus	65 mm / 140 mm	38 kg

Accessories box for PRO linus flagpole

Accessories box consists of ground plate, anchor rods, nuts set, assembly instructions, standard finial of your choice, sleeve, weight ring, rust-free snap-hook and small plastic ball.



Accessories Box PRO linus 3-12m

Art.no.	Length	Description	Weight
40012	3 – 12 m	Accessories box 3-12m linus – golden onion	7,4 kg
40012-1	3 – 12 m	Accessories box 3-12m linus – silver onion	7,4 kg
40012-4	3 – 12 m	Accessories box 3-12m linus – white onion	7,4 kg
40012-2	3 – 12 m	Accessories box 3-12m linus – white flat	7,4 kg
40012-3	3 – 12 m	Accessories box 3-12m linus – grey flat	7,4 kg

Winch system

The winch system has a rust-free winch that regulates the halyard inside the flagpole. A comfortable way to raise flag and protect it against theft and sabotage.

Flagpole is delivered complete with winch, halyard and steel base.



Winch pole

Art.no.	Length	Description	Top Ø / Base Ø	Weight
06430	6 m	Flagpole 6 m Pro winch	65 mm / 120 mm	20 kg
07430	7 m	Flagpole 7 m Pro winch	65 mm / 120 mm	22 kg
08430	8 m	Flagpole 8 m Pro winch	65 mm / 120 mm	24 kg
09430	9 m	Flagpole 9 m Pro winch	65 mm / 120 mm	25 kg
10430	10 m	Flagpole 10 m Pro winch	65 mm / 140 mm	33 kg
11430	11 m	Flagpole 11 m Pro winch	65 mm / 140 mm	36 kg
12430	12 m	Flagpole 12 m Pro winch	65 mm / 140 mm	39 kg
14430	14 m	Flagpole 14 m Pro winch	65 mm / 175 mm	70 kg
16430	16 m	Flagpole 16 m Pro winch	65 mm / 175 mm	83 kg
18430	18 m	Flagpole 18 m Pro winch	65 mm / 175 mm	88 kg

Accessories box for PRO winch flagpole

Accessories box consists of ground plate, anchor rods, nuts set, assembly instructions, standard finial of your choice, sleeve, ring weight (chain weight for 14-18 m), rust-free snap-hook, small plastic ball and handle.



Accessories Box PRO Winch 6-12m

Art.no.	Length	Description	Weight
40013	6 – 12 m	Accessories box 6-12m winch – golden onion	8 kg
40013-1	6 – 12 m	Accessories box 6-12m winch – silver onion	8 kg
40013-4	6 – 12 m	Accessories box 6-12m winch – white onion	8 kg
40013-2	6 – 12 m	Accessories box 6-12m winch – white flat	8 kg
40013-3	6 – 12 m	Accessories box 6-12m winch – grey flat	8 kg
40067*	14 – 18 m	Accessories box 14-18m winch – golden onion	25 kg
40067-1*	14 – 18 m	Accessories box 14-18m winch – silver onion	25 kg
40067-2*	14 – 18 m	Accessories box 14-18m winch – white flat	25 kg
40067-3*	14 – 18 m	Accessories box 14-18m winch – white onion	25 kg
40067-4*	14 – 18 m	Accessories box 14-18m winch – grey flat	25 kg

* Ground attachment packed separately.

PRO Banner Bar (no cleat holes)



Banner Bar box

Art.no.	Length	Description	Top Ø / Base Ø	Weight
960610	6 m	Flagpole 6 m Pro for banner bar	65 mm / 120 mm	17 kg
970610	7 m	Flagpole 7 m Pro for banner bar	65 mm / 120 mm	19 kg
980610	8 m	Flagpole 8 m Pro for banner bar	65 mm / 120 mm	21 kg
990610	9 m	Flagpole 9 m Pro for banner bar	65 mm / 120 mm	22 kg
100610	10 m	Flagpole 10 m Pro for banner bar	65 mm / 140 mm	31 kg
110610	11 m	Flagpole 11 m Pro for banner bar	65 mm / 140 mm	33 kg
120610	12 m	Flagpole 12 m Pro for banner bar	65 mm / 140 mm	36 kg

Banner Bar box for PRO flagpole

Banner Bar box consists of instructions, standard finial of your choice, Banner Bar plastic sleeve, 3 slings, ring weight, Banner Bar screws and plastic fix lock. Ground attachment for PRO and Banner Bar aluminium tube (22mm x 1,5m) packed separately.

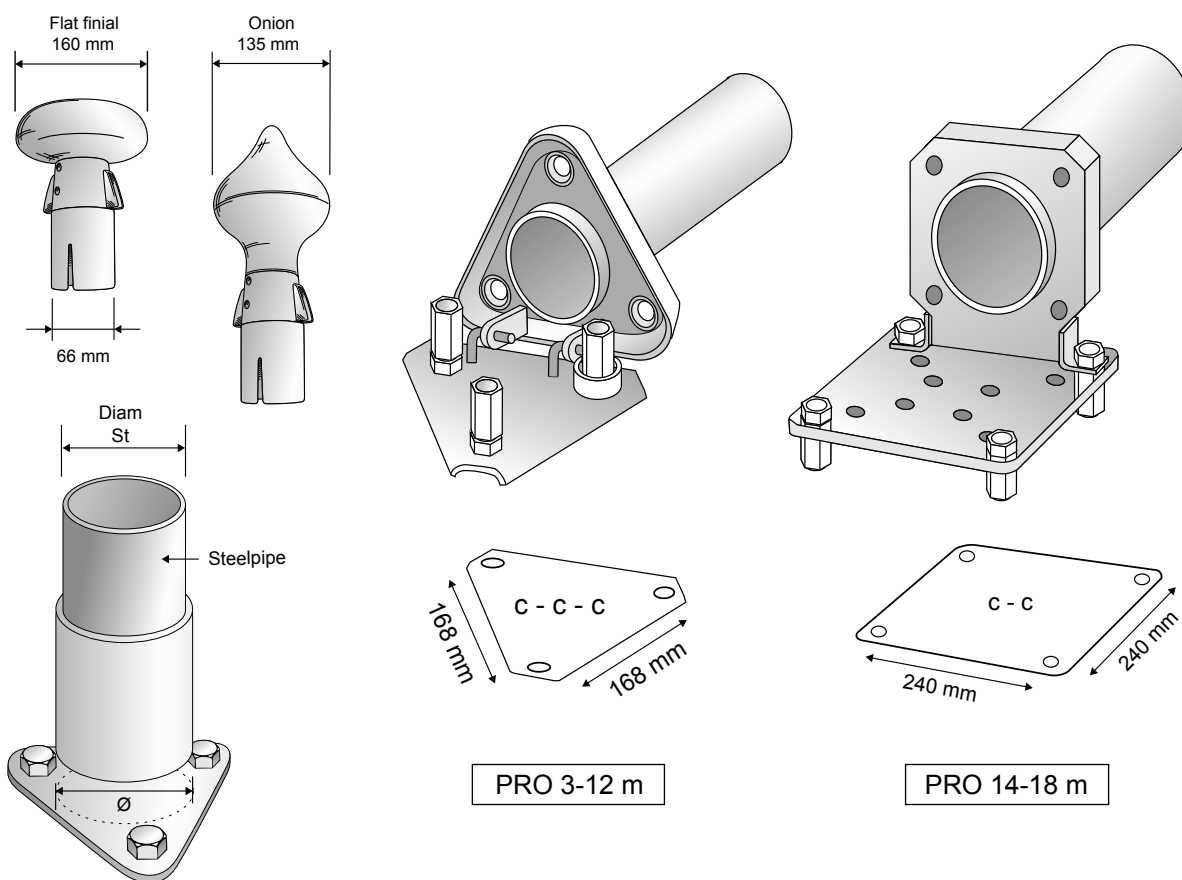


Banner bar box (white flat)

Art.no.	Length	Description	Weight
44010	6 – 12 m	Banner Bar box for Pro – gold onion	4 kg
44011	6 – 12 m	Banner Bar box for Pro – silver onion	4 kg
44012	6 – 12 m	Banner Bar box for Pro – white flat	4 kg
44013	6 – 12 m	Banner Bar box for Pro – grey flat	4 kg
44014	6 – 12 m	Banner Bar box for Pro – white onion	4 kg

PRO technical datasheet

	3m	4m	5m	6m	7m	8m	9m	10m	12m	14m	16m	18m
top diameter (mm)	65	65	65	65	65	65	65	65	65	65	65	65
bottom diameter (mm)	88*	96*	100	120	120	120	120	140	140	175	175	175
fiberglass thickness (mm)	3,0	3,0	3,0	3,0	3,0	3,0	3,0	3,5	3,5	4,5	4,5	4,5
cylindrical length (mm)	0	0	0	0	0	0	0	500	2500	5500	7500	9500
height to cleat/lock (mm)	1500	1500	1500	1500	1500	1500	1500	1500	1500	1500	1500	1500
height to winch (mm)	n/a	n/a	n/a	630	630	630	630	630	630	630	630	630
length of the steel tube (mm)	610	610	610	610	610	610	610	610	750	1000	1000	1000
thickness of the steel tube (mm)	2,6	2,6	2,6	2,6	2,6	2,6	2,6	3,0	3,0	5,0	5,0	5,0
diameter of the steel tube (mm)	76	76	89	102	102	102	102	121	121	159	159	159



Flagmore Square

Flagpole 6-12 meters

Square flagpole is a solution for customers in some countries, who are used to use four bolts to install a flagpole or need a replacement for this kind of installation. The ingenious construction with hinged pole makes the flagpole easy to lower and to raise.

See our option pages for a variety of option possibilities that fit your needs and desires.



Flagpole Square 6-12m



Flagpole Square 6-12m



Accessories Box Square 6-12m

External halyard system

Flagpoles are delivered complete with steel base and cleat holes.

Art.no.	Length	Description	Top Ø / Base Ø	Weight
06310	6 m	Flagpole 6 m Square	65 mm / 120 mm	23 kg
07310	7 m	Flagpole 7 m Square	65 mm / 120 mm	25 kg
08310	8 m	Flagpole 8 m Square	65 mm / 120 mm	27 kg
09310	9 m	Flagpole 9 m Square	65 mm / 120 mm	29 kg
10310	10 m	Flagpole 10 m Square	65 mm / 140 mm	37 kg
11310	11 m	Flagpole 11 m Square	65 mm / 140 mm	40 kg
12310	12 m	Flagpole 12 m Square	65 mm / 140 mm	43 kg

Accessories box for Square external halyard flagpole

Accessories box consists of ground plate, 4 anchor rods 50 cm M16, nuts set, assembly instructions, standard finial of your choice, plastic sleeve, plastic cleat with screws, halyard, 2 plastic hooks.

Art.no.	Length	Description	Weight
40024	6 – 12 m	Accessories box – golden onion	5,4 kg
40024-1	6 – 12 m	Accessories box – silver onion	5,4 kg
40024-4	6 – 12 m	Accessories box – white onion	5,4 kg
40024-2	6 – 12 m	Accessories box – white flat	5,4 kg
40024-3	6 – 12 m	Accessories box – grey flat	5,4 kg

Metal lock / linus system

A manual internal halyard system has a lockable hatch. Inside the hatch there is a rope lock that secures the halyard. A comfortable way to raise the flag.

Flagpole is delivered complete with lockable hatch, 2 keys, halyard and steel base.



Linus pole

Art.no.	Length	Description	Top Ø / Base Ø	Weight
06320	6 m	Flagpole 6 m Square linus	65 mm / 120 mm	25 kg
07320	7 m	Flagpole 7 m Square linus	65 mm / 120 mm	27 kg
08320	8 m	Flagpole 8 m Square linus	65 mm / 120 mm	29 kg
09320	9 m	Flagpole 9 m Square linus	65 mm / 120 mm	31 kg
10320	10 m	Flagpole 10 m Square linus	65 mm / 140 mm	39 kg
11320	11 m	Flagpole 11 m Square linus	65 mm / 140 mm	42 kg
12320	12 m	Flagpole 12 m Square linus	65 mm / 140 mm	45 kg

Accessories box for Square linus flagpole

Accessories box consists of ground plate, anchor rods, nuts set, assembly instructions, standard finial of your choice, sleeve, ring weight, rust-free snap-hook and small plastic ball.



Accessories Box Square linus 6-12m

Art.no.	Length	Description	Weight
40025	6 – 12 m	Accessories box – golden onion	6,3 kg
40025-1	6 – 12 m	Accessories box – silver onion	6,3 kg
40025-4	6 – 12 m	Accessories box – white onion	6,3 kg
40025-2	6 – 12 m	Accessories box – white flat	6,3 kg
40025-3	6 – 12 m	Accessories box – grey flat	6,3 kg

Winch

The crank system has a rust-free winch that regulates the halyard inside the flagpole. Comfortable way to raise the flag and protect it against theft and sabotage.

Flagpole is delivered complete with internal rust-free winch, crank, weight ring, rust-free snap-hook, small plastic ball, finial, halyard, ground attachment, mounting screws and assembly instruction.



Winch pole

Art.no.	Length	Description	Top Ø / Base Ø	Weight
06330	6 m	Flagpole 6 m Square winch	65 mm / 120 mm	25 kg
07330	7 m	Flagpole 7 m Square winch	65 mm / 120 mm	27 kg
08330	8 m	Flagpole 8 m Square winch	65 mm / 120 mm	29 kg
09330	9 m	Flagpole 9 m Square winch	65 mm / 120 mm	31 kg
10330	10 m	Flagpole 10 m Square winch	65 mm / 140 mm	39 kg
11330	11 m	Flagpole 11 m Square winch	65 mm / 140 mm	42 kg
12330	12 m	Flagpole 12 m Square winch	65 mm / 140 mm	45 kg

Accessories box for Square winch flagpole

Accessories box consists of ground plate, anchor rods, nuts set, assembly instructions, standard finial of your choice, sleeve, ring weight, rust-free snap-hook, small plastic ball and handle.

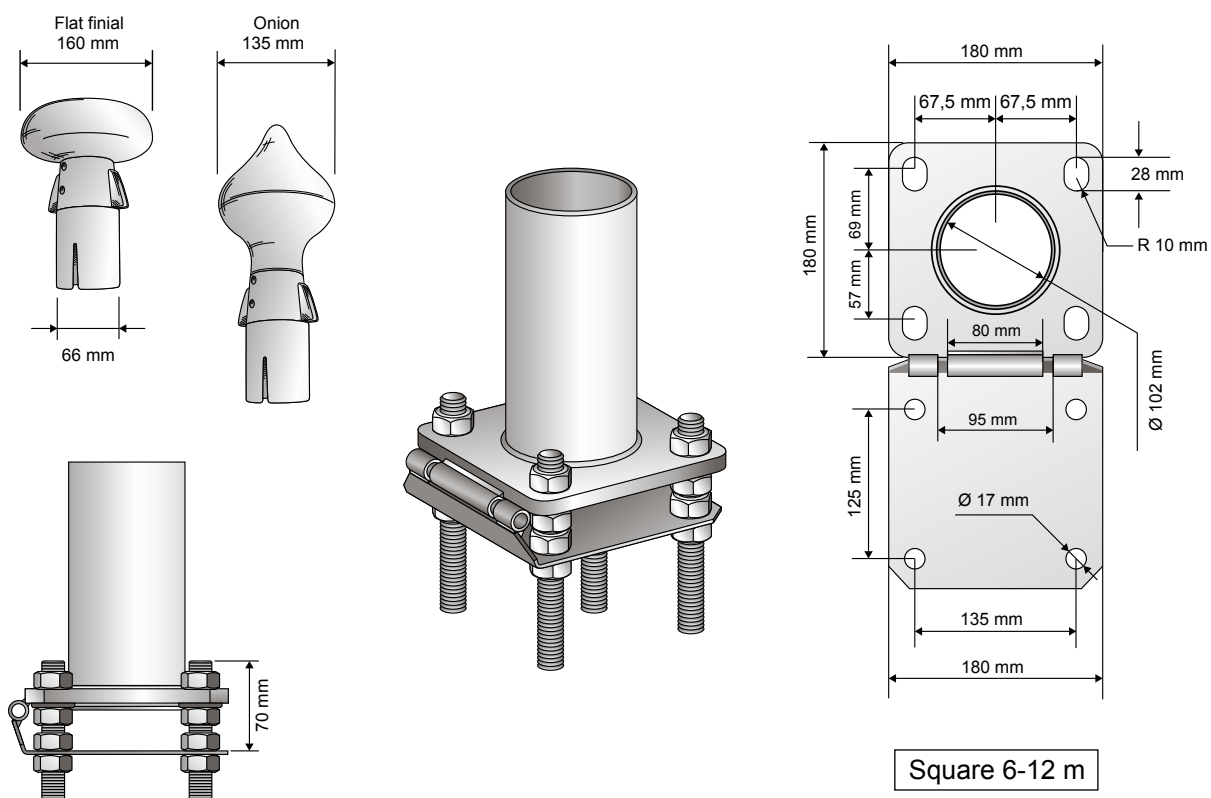


Accessories Box Square winch 6-12m

Art.no.	Length	Description	Weight
40023	6 – 12 m	Accessories box – golden onion	6,5 kg
40023-1	6 – 12 m	Accessories box – silver onion	6,5 kg
40023-4	6 – 12 m	Accessories box – white onion	6,5 kg
40023-2	6 – 12 m	Accessories box – white flat	6,5 kg
40023-3	6 – 12 m	Accessories box – grey flat	6,5 kg

Square technical datasheet

	6m	7m	8m	9m	10m	12m
top diameter (mm)	65	65	65	65	65	65
bottom diameter (mm)	120	120	120	120	140	140
fiberglass thickness (mm)	3	3	3	3	3,5	3,5
cylindrical length (mm)	0	0	0	0	0	2000
height to cleat/lock (mm)	1500	1500	1500	1500	1500	1500
height to winch (mm)	550	550	550	550	550	550
length of the steel tube (mm)	630	630	630	630	630	630
thickness of the steel tube (mm)	2,6	2,6	2,6	2,6	3,0	3,0
diameter of the steel tube (mm)	102	102	102	102	121	121



Other flagpoles

FLAGMORE ACTION / Flagpole 6-12 meters

Flagpole for temporary in ground installation. Delivered complete with cleat holes. Cleat holes on 1,5 m from the bottom or at any other height upon request.

Art.no.	Length	Description	Top Ø / Base Ø	Weight
06010	6 m	Flagpole 6 m ACT	65 mm / 120 mm	9 kg
07010	7 m	Flagpole 7 m ACT	65 mm / 120 mm	10 kg
08010	8 m	Flagpole 8 m ACT	65 mm / 120 mm	12 kg
09010	9 m	Flagpole 9 m ACT	65 mm / 140 mm	13 kg
10010	10 m	Flagpole 10 m ACT	65 mm / 140 mm	19 kg
11010	11 m	Flagpole 11 m ACT	65 mm / 140 mm	21 kg
12010	12 m	Flagpole 12 m ACT	65 mm / 140 mm	24 kg

Finial box for Action flagpoles

Finial box consists of standard finial of your choice, sleeve, cleat with screws, plastic hooks and halyard.



Finial box with white flat plastic finial

Art.no.	Length	Description	Weight
36000	6 – 12 m	Finial box – golden onion	1 kg
36002	6 – 12 m	Finial box – silver onion	1 kg
36004	6 – 12 m	Finial box – white onion	1 kg
36020	6 – 12 m	Finial box – white flat	1 kg
36024	6 – 12 m	Finial box – grey flat	1 kg

Ground tubes



Add for ground tube 600 mm

Art.no.	Length	Description	
40180	6 – 7 m	Add for ground tube 600 mm	
40181	8 – 9 m	Add for ground tube 750 mm	
40182	10 – 11 m	Add for ground tube 900 mm	
40183	12 m	Add for ground tube 1200 mm	

Options for flagpoles

Special colour

A full selection of coloured flagpoles. Coloured flagpoles are made upon request in accordance with RAL- colour card. Ask a separate offer for metallic colours.

Split of flagpoles

Flagmore offers splitting flagpoles into a two-part pole. They are precision manufactured in our factory in lengths between 6-18 meters and retain their strength. In this way the transport is easier.



Split

Extra reinforcement

When the flagpole is going to be placed in an exposed location, extra reinforcement is needed. This type of reinforcement is recommended if the pole is mounted on a roof and/or where large flags are being used. In those cases a safety wire is also recommended.

Extra reinforcement can be done by

1. Adding extra layers
2. Inserting glass fibre tube
3. Inserting steel tube

Ask for technical specifications and an offer if extra reinforcement is needed.

Marina mast

For flying flags, pennants or flag garlands in harbours, marinas, tourist attractions, camping sites or restaurants.

The standard Marina mast is 10 or 12 m and the mounting kit comes complete with all fittings, ground attachments, finial, 3 cleats, a 244 cm long yardarm and bracket for the yardarm, but without flags and flag garlands.



Marina mast

Art.no.	Length	Description
30083	10 m	Marina mast PRO complete
30085	12 m	Marina mast PRO complete

Custom poles

Poles can be made with different diameters, different lengths, extra strength, aluminium tubes in tops and much more. Poles can be cylindrical, conical and different combinations of these two shapes.

Flagmore glass fibre custom poles have already been used for lighting columns, railway barriers, antenna poles, lighting rods, windsock poles, supporting security cameras, fence-posts etc.

Safety wire

When installing on roofs and walls above ground, a safety wire is strongly recommended. The safety wire is securely attached to the top of the flagpole and runs internally down to the base of the pole. The wire is fastened to the anchor rods or with a separate anchor.

Art.no.	Length	Description
30030	3 – 9 m	Safety wire, complete
30031	10 – 12 m	Safety wire, complete

Wall attachments

Wall mounted flagpole in fibreglass with square attachment 3-4 meters

Wall mounted pole delivered complete with steel base and cleat holes (55 cm from bottom).



Wall mounted flagpole in fibreglass

Art.no.	Length	Description	Top Ø
03710	3 m	Wall mounted flagpole in fibreglass	65 mm
04710	4 m	Wall mounted flagpole in fibreglass	65 mm

You need to order a finial box to the complete wall mounted flagpole

Wall attachments to wall mounted flagpole

Complete wall attachment with nuts set for the flagpole



Wall attachments
(articles no 23104, 23106, 23107)

Art.no.	Length	Description	Weight
23104	3 – 6 m	Wall attachment 45° angle against wall	4 kg
23106	3 – 6 m	Wall attachment 60° angle against wall	4 kg
23107	3 – 6 m	Wall attachment 75° angle against wall	4 kg

Vertical wall bracket for Nordic and Pro poles

Complete wall bracket including bolts and nuts, wall distance 60-70 mm.



Vertical wall bracket

Art.no.	Length	Description	Weight
40131	3 – 12 m	Vertical wall bracket 0°	15 kg

Vertical wall attachment for Action poles

Fits flagpole with internal steel tube 6-12 m. The bracket is galvanized and powder coated in white.

Art.no.	Length	Description	Weight
40140	6 – 9 m	Wallbracket consol white 1 pair (2pcs)	4 kg
40141	10 – 12 m	Wallbracket consol white 1 pair (2pcs)	5 kg



Wallbracket consol white 1 pair (2pcs)

Roll-over

Roll-over is a wall mounted flagpole. Roll-over 200-250 cm including, wall attachment on 65° angle against wall. Roll-over function is to prevent the flag to twist around the pole.

Art.no.	Length	Description
78211	200 cm	Roll-over 200 cm including, wall attachment
78212	250 cm	Roll-over 250 cm including, wall attachment
78213	200 cm	Roll-over pole 200 cm
78214	250 cm	Roll-over pole 250 cm
78215	—	Roll-over wall attachment 65°
78216	—	Roll-over finial white

Accessories sets

ACCESSORIES IN SETS

Contents of the accessories box for external halyard flagpole



Contents of the accessories box for external halyard flagpole (with Nordic ground attachment)

Art.no.	Pieces	Description
—	1	Suitable ground attachment
—	1	Finial of your choice
37305	1	Socket 65 mm plastic white
38020	1	Cleat with screw white
38052*	1	Halyard 22 m (for 3-12 m flagpole) Ø 5 mm
38053*	1	Halyard 34 m (for 14-18 m flagpole) Ø 5 mm
30416	2	Plastic hooks

*Appropriate halyard must be chosen by the length of the pole.

Contents of the accessories box for linus flagpole



Contents of the accessories box for linus flagpole (with Nordic ground attachment)

Art.no.	Pieces	Description
—	1	Suitable ground attachment
—	1	Finial of your choice
37305	1	Socket 65 mm plastic white
32061	1	Ring weight
32064	1	Small plastic ball
38004	1	Snap-hook in rust-free metal

Contents of the accessories box for winch flagpole



Contents of the accessories box for winch flagpole (with Nordic ground attachment)

Art.no.	Pieces	Description
—	1	Suitable ground attachment
—	1	Finial of your choice
—	1	Winch handle
37305	1	Socket 65 mm plastic white
32061	1	Ring weight
32064	1	Small plastic ball
38004	1	Snap-hook in rust-free metal

Contents of the banner bar box for Nordic or Pro flagpole



Contents of the banner bar box (without finial and ground attachment)

Art.no.	Pieces	Description
—	1	Suitable ground attachment
—	1	Finial of your choice
32061	1	Ring weight
34021	1	Banner Bar sleeve 65 mm metal
34025	1	Banner bar aluminium tube 1,5 m
34026	1	Plastic sling 57 cm
34073	2	Banner Bar screws
38005	1	Plastic fix lock

Contents of the standard finial box



Contents of the standard finial box (with flat white finial)

Art.no.	Pieces	Description
—	1	Standard finial of your choice
37305	1	Socket 65 mm plastic white
38020	1	Cleat with screw white
38052*	1	Halyard 22 m (for 3-12 m flagpole) Ø 5 mm
38053*	1	Halyard 34 m (for 14-18 m flagpole) Ø 5 mm
30416	2	Plastic hooks

*Appropriate halyard must be chosen by the length of the pole.



Contents of the standard finial box for linus (with white flat finial)

Contents of the standard finial box for linus

Art.no.	Pieces	Description
—	1	Finial of your choice
37305	1	Socket 65 mm plastic white
32061	1	Ring weight
32064	1	Small plastic ball
38004	1	Snap-hook in rust-free metal



Contents of the standard finial box for winch (with flat white finial)

Contents of the standard finial box for winch

Art.no.	Pieces	Description
—	1	Finial of your choice
—	1	Winch handle
37305	1	Socket 65 mm plastic white
32061	1	Ring weight
32064	1	Small plastic ball
38004	1	Snap-hook in rust-free metal



Contents of the ground attachment Nordic 3-12 m

Contents of the ground attachment Nordic 3-12 m

Art.no.	Pieces	Description
40091	1	Ground plate Nordic 3-12 m
41000	3	Anchor rods Nordic M20; L=500 mm
41004	1	Nuts set Nordic 3-12 m



Contents of the ground attachment Nordic 14-18 m

Contents of the ground attachment Nordic 14-18 m

Art.no.	Pieces	Description
22014-2	1	Ground plate Nordic 14-18 m
41000	4	Anchor rods Nordic M20; L=500 mm
24106	1	Nuts set Nordic 14-18 m



Contents of the ground attachment Pro 3-12 m

Contents of the ground attachment Pro 3-12 m

Art.no.	Pieces	Description
40090	1	Ground plate PRO 3-12 m
40008	3	Ancor rods PRO M20; L=500 mm
40009-2	1	Nuts set Pro 3-12 m

Contents of the ground attachment Pro 14-18 m

Art.no.	Pieces	Description
40090-1	1	Ground plate Nordic 14-18 m
41001	1	Anchor rods PRO M20; L=800 mm 4pcs
40009-2	1	Nuts set Nordic 14-18 m



Contents of the ground attachment Pro 14-18 m

Contents of the ground attachment Square 3-18 m

Art.no.	Pieces	Description
40092	1	Ground plate Square
23115	4	Anchor rods M16; L=500 mm
24103	1	Nuts set Square



Contents of the ground attachment Square 6-12 m

FINIAL BOXES

Standard finial boxes for external halyard

Finial boxes with onion- or flat-shaped finial, socket, cleat and halyard.



Finial box with 160 mm plastic white flat



Finial box for linus with 160 mm plastic white flat



Finial box for winch with 160 mm plastic white flat



Finial plastic grey flat 160 mm



Finial plastic silver onion 135 mm

Art.no.	Length	Description	Weight
36000	3 – 12 m	Finial box with 135 mm plastic gold onion	1 kg
36002	3 – 12 m	Finial box with 135 mm plastic silver onion	1 kg
36004	3 – 12 m	Finial box with 135 mm plastic white onion	1 kg
36020	3 – 12 m	Finial box with 160 mm plastic white flat	1 kg
36024	3 – 12 m	Finial box with 160 mm plastic grey flat	1 kg
36000-1	14 – 18 m	Finial box with 135 mm plastic gold onion	1 kg
36002-1	14 – 18 m	Finial box with 135 mm plastic silver onion	1 kg
36004-1	14 – 18 m	Finial box with 135 mm plastic white onion	1 kg
36020-1	14 – 18 m	Finial box with 160 mm plastic white flat	1 kg
36024-1	14 – 18 m	Finial box with 160 mm plastic grey flat	1 kg

*All colours available

Standard finial boxes for linus

Finial, socket 65 mm plastic, snap-hook, ring weight and a small plastic ball.

Art.no.	Length	Description	Weight
32010	3 – 18 m	Finial box for linus with 135 mm plastic gold onion	2 kg
32012	3 – 18 m	Finial box for linus with 135 mm plastic silver onion	2 kg
32020	3 – 18 m	Finial box for linus with 135 mm plastic white onion	2 kg
32021	3 – 18 m	Finial box for linus with 160 mm plastic grey flat	2 kg
32022	3 – 18 m	Finial box for linus with 160 mm plastic white flat	2 kg

*All colours available

Standard finial boxes for winch

Finial, socket 65 mm plastic, snap-hook, winch, ring weight, a small plastic ball and handle.

Art.no.	Length	Description	Weight
32040	6 – 18 m	Finial box for winch with 135 mm gold onion plastic finial	3 kg
32042	6 – 18 m	Finial box for winch with 135 mm silver onion plastic finial	3 kg
32043	6 – 18 m	Finial box for winch with 135 mm white onion plastic finial	3 kg
32055	6 – 18 m	Finial box for winch with 160 mm white flat plastic finial	3 kg
32059	6 – 18 m	Finial box for winch with 160 mm grey flat plastic finial	3 kg

*All colours available

BANNER BAR AND BANNER LIFT

Banner bar



Complete Banner Bar set - metal



Complete Banner Bar set - plastic



Banner Lift set

Banner bar is mounted on the top of the flagpole. It is a rotating arm that prevents the flag from twisting around the pole and therefore keeps the flag always visible. The banner bar prevents your flag from being stolen. The flagpole is lowered to change the flag. Finial is not included in Banner Bar set when bought separately from flagpole.

Delivered complete with banner bar sleeve, aluminium tube (22 mm x 1.5 m) with clip, 4 plastic slings, fix lock, ring weight and screws.

Art.no.	Length	Description	Weight
34000	6 – 12 m	Complete Banner Bar set - metal	3 kg
35000	6 – 12 m	Complete Banner Bar set - plastic	3 kg

Banner lift

Banner lift works like the banner bar, but you change the flag from the ground. You don't have to lower the flagpole to change the flag. To prevent the flag from being stolen you should use the banner-lift with one of our internal halyard systems.

Delivered complete with BL angle, aluminium tube (22 mm x 1.5 m) with clip, 4 plastic slings, fix lock, ring weight and aluminium corrector. For use in combination with flagpoles with internal halyard.

Art.no.	Length	Description	Weight
37000	6 – 12 m	Banner Lift set	3 kg

Accessories and spare parts for banner bar/banner lift

Art.no.	Description	Weight
34021	Banner Bar socket 65 mm standard	1 kg
34049	Banner Bar socket 65 mm plastic	0,8 kg
34019	Banner Bar socket 65 mm with bearings	1 kg
34020	Banner Bar socket 50 mm metal	1 kg
34025	Aluminium tube 1,50 m	0,5 kg
34026	Plastic sling 57 cm	0,025 kg
34027	Plastic sling 75 cm	0,035 kg
38005	Plastic fix lock	0,0025 kg
38004	Snap-hook in rust-free metal 50 mm	0,0025 kg
32061	Ring weight 3-12 m	1,2 kg
34031	Banner Lift corrector	0,1 kg



Banner Bar socket 65 mm standard



Banner Bar socket 65 mm plastic



Banner Lift with flag

Accessories

FINIALS

Standard finials



Finial onion gold 135 mm

Art.no.	Length	Description	Weight
37300	3 – 12 m	Finial onion gold 135 mm	0,2 kg
37301	3 – 12 m	Finial onion silver 135 mm	0,2 kg
37302	3 – 12 m	Finial onion white 135 mm	0,2 kg
37310	3 – 12 m	Finial flat white 160 mm	0,2 kg
37314	3 – 12 m	Finial flat grey 160 mm	0,2 kg

*All colours available.

Other finials (brass, ball, wind arrow)



Finial flat grey 160 mm (2-parts)

Art.no.	Length	Description	Weight
31014	3 – 12 m	Brass onion gold 120 mm brass	0,4 kg
31015	3 – 12 m	Brass onion silver 120 mm brass	0,4 kg
31039	14 – 18 m	Brass onion gold 180 mm brass	0,5 kg
31040	14 – 18 m	Brass onion silver 180 mm brass	0,5 kg
36120	3 – 18 m	Brass finial with arrow 120/65 mm	0,8 kg
36121	3 – 18 m	Plastic ball gold with long shaft 150/65 mm	0,5 kg
36123	3 – 18 m	Plastic ball silver with long shaft 150/65 mm	0,5 kg
36070	3 – 12 m	Finial onion gold 135 mm (2-parts)	0,2 kg
36071	3 – 12 m	Finial onion silver 135 mm (2-parts)	0,2 kg
36072	14 – 18 m	Finial onion gold 165 mm (2-parts)	0,3 kg
36073	14 – 18 m	Finial onion silver 165 mm (2-parts)	0,3 kg
36079	3 – 18 m	Finial flat white 160 mm (2-parts)	0,2 kg
36081	3 – 18 m	Finial flat grey 160 mm (2-parts)	0,2 kg



Brass onion silver 120 mm

Sockets and truckheads for finials



Socket 65 mm plastic white

Art.no.	Length	Description	Weight
34020	3 – 12 m	Socket 50 mm metal white	0,3 kg
37305	3 – 18 m	Socket 65 mm plastic white	0,3 kg
37306	3 – 18 m	Socket 65 mm plastic grey	0,3 kg
36060	3 – 18 m	Socket 65 mm metal white	0,4 kg
36062	3 – 18 m	Socket 65 mm metal grey	0,4 kg
36132	3 – 18 m	Sleeve 75 mm with zinc truckhead	0,5 kg
36165	3 – 18 m	Truckhead for onion-shape 2-part finial white	0,2 kg
36167	3 – 18 m	Truckhead for flat-shape 2-part finial white	0,1 kg
36168	3 – 18 m	Truckhead for flat-shape 2-part finial grey	0,1 kg
36171	3 – 18 m	Truckhead for onion-shape 2-part finial grey	0,2 kg



Truckhead for flat-shape 2-part finial (white)



Truckhead for onion-shape 2-part finial (white)

GROUND ATTACHMENTS

All ground attachments in Flagmore's product selection are manufactured from hot galvanized steel for the best protection against corrosion. This selection includes the ground attachments to all our flagpoles.

Ground attachment is delivered complete with anchor rods, ground plate and nuts set.



Ground attachment Nordic 3-12 m



Ground attachment Pro 3-12 m



Ground attachment Square 6-12 m

Art.no.	Length	Description	Weight
40000	3 – 12 m	Ground attachment Nordic	6 kg
50500	14 – 18 m	Ground attachment Nordic	17 kg
40010	3 – 12 m	Ground attachment Pro	6 kg
40020	14 – 18 m	Ground attachment Pro	22,5 kg
40050	6 – 12 m	Ground attachment Square	6 kg

Flash collars for ground attachment

Art.no.	Length	Description	Weight
44020	6 – 9 m	Flash collar for ground attachment 120 mm	0,5 kg
44021	10 – 12 m	Flash collar for ground attachment 140 mm	0,5 kg

Ground tubes

Art.no.	Length	Description	
40180	6 – 7 m	Add for ground tube 600 mm	
40181	8 – 9 m	Add for ground tube 750 mm	
40182	10 – 11 m	Add for ground tube 900 mm	
40183	12 m	Add for ground tube 1200 mm	



Flash collar



Add for ground tube 600 mm

OTHER ACCESSORIES



Ring weight (white)

Weights

Art.no.	Length	Description	Weight
32071	3 – 12 m	Chain weight	1,5 kg
32061	3 – 12 m	Ring weight (white)	1,2 kg
32080	3 – 12 m	Ring weight (grey)	1,2 kg



Chain weight

Winches

Art.no.	Length	Description	Weight
23161-21	6 – 9 m	Winch mechanism set 6-9 m	3 kg
23162-21	10 – 12 m	Winch mechanism set 10-12 m	3 kg
23162-31	14 – 18 m	Winch mechanism set 14-18 m	3 kg
24410	6 – 9 m	Winch mechanism set 6-9 m (steel)	4 kg
24420	10 – 12 m	Winch mechanism set 10-12 m (steel)	4 kg
24430	14 – 18 m	Winch mechanism set 14-18 m (steel)	4 kg



Winch mechanism 6-9 m

Linuses

Art.no.	Length	Description	Weight
23300	6 – 9 m	Linus assembly set 6-9 m	2 kg
23300-1	10 – 12 m	Linus assembly set 10-12 m	2 kg
23312	–	Linus house with lock (white)	0,5 kg
23314	–	Linus house with lock (grey)	0,5 kg



Winch mechanism set 6-9m (steel)

Clips and snap-hooks

Clips and snap-hooks for fast connection of flags/halyards.

Art.no.	Description
38002	Plastic hook 2/per package
38004	Snap-hook in rust-free metal
38005	Plastic fixlock
38006	Plastic hook



Linus house with lock (white)

Cleats

Art.no.	Description
38020	Cleat with screws, white
38021	Cleat with screws, grey
38024	Screw M6x40mm for cleat



Cleat with screws (white)

Internal halyard Ø 4 mm

Art.no.	Length	Description
38030	6 – 9 m	Internal halyard Ø 4 mm, 16 m
38031	10 – 12 m	Internal halyard Ø 4 mm, 22 m
38032	14 – 18 m	Internal halyard Ø 4 mm, 34 m
38035	–	Internal halyard Ø 4 mm, on reel 200 m
38036	–	Internal halyard Ø 4 mm, on reel 504 m



Halyard Ø 5 mm, 22 m

Halyard Ø 5 mm

Art.no.	Length	Description
38050	–	Halyard Ø 5 mm, on reel 200 m
38051	–	Halyard Ø 5 mm, on reel 750 m
38052	3 – 12 m	Halyard Ø 5 mm, 22 m
38053	14 – 18 m	Halyard Ø 5 mm, 34 m

New products



Concrete base 450 kg



Concrete base 350 kg

Concrete bases and foot covers

Art.no.	Length	Description	Weight
40040	3 – 9 m	Concrete base 450 kg	450 kg
40041	10 – 12 m	Concrete base 650 kg	650 kg
40042	14 – 18 m	Concrete base 500 kg	500 kg
40046	6 – 12 m	Concrete base 350 kg	350 kg
40047	3 – 12 m	Concrete foot cover light-granite	20 kg
40048	3 – 12 m	Concrete foot cover dark-granite	20 kg

* The weight of the concrete bases may vary $\pm 5\%$

Indoor plate

Art.no.	Description	Weight
28002	Indoor plate	12 kg

Banner Saver

Art.no.	Description	Weight
34040-1	Banner Bar saver	2 kg



Art. No. 34040-1



Concrete foot cover light-granite



Indoor plate

Recommended flag sizes and wind strengths

Max. wind speed (m/s) for FLAGMORE NORDIC standard GRP-flagpoles depending on the FLAG size.

Size of Flag (heigh x width)	Heigh of Flagpole										
	6 m	7 m	8 m	9 m	10 m	11 m	12 m	14 m	16 m	18 m	
1,05 x 1,65 m	31	32	29	31	35	38	38	32	37	33	
1,25 x 1,96 m	30	31	28	29	34	36	37	31	35	32	
1,50 x 2,36 m	29	30	28	28	33	35	35	30	35	31	
1,65 x 2,58 m	28	29	27	28	32	35	35	29	34	31	
2,00 x 3,14 m	28	28	26	27	31	33	34	28	32	29	
2,33 x 3,66 m	27	27	25	26	30	32	32	27	32	28	
2,67 x 4,20 m	26	26	25	25	29	31	32	26	31	28	
3,00 x 4,71 m	25	25	24	25	28	25	31	25	30	27	

All calculations in table are based on the tests of SP Technical Research Institute of Sweden and American National Standard ANSI/NAAMM FP1001-07

Max. wind speed (m/s) for FLAGMORE NORDIC standard GRP-flagpoles depending on the BANNER size.

Size of Banner (heigh x width)	m ²	Heigh of Flagpole									
		6 m	7 m	8 m	9 m	10 m	11 m	12 m	14 m	16 m	18 m
3,00 x 1,50 m	4,50	19	25	23	24	28	29	29	28	28	25
3,50 x 1,50 m	5,25	25	25	23	24	27	29	29	28	28	25
5,00 x 1,50 m	7,50	25	25	22	23	27	28	29	28	28	25
6,00 x 1,50 m	9,00	25	25	23	23	27	28	28	28	27	24

All calculations in table are based on the tests of SP Technical Research Institute of Sweden and American National Standard ANSI/NAAMM FP1001-07

Max. wind speed (m/s) for FLAGMORE PRO GRP-flagpoles depending on the FLAG size.

Size of Flag (heigh x width)	Heigh of Flagpole										
	6 m	7 m	8 m	9 m	10 m	11 m	12 m	14 m	16 m	18 m	
1,05 x 1,65 m	35	36	33	35	40	43	43	36	42	37	
1,25 x 1,96 m	34	35	32	33	38	41	42	35	40	37	
1,50 x 2,36 m	33	34	31	32	37	40	40	34	39	35	
1,65 x 2,58 m	32	33	30	31	37	39	39	33	38	35	
2,00 x 3,14 m	31	32	30	30	35	37	38	31	37	33	
2,33 x 3,66 m	30	30	29	30	34	36	37	30	36	32	
2,67 x 4,20 m	30	30	28	29	33	35	36	30	35	31	
3,00 x 4,71 m	29	29	27	28	32	29	35	29	34	30	

All calculations in table are based on the tests of SP Technical Research Institute of Sweden and American National Standard ANSI/NAAMM FP1001-07

Max. wind speed (m/s) for FLAGMORE PRO GRP-flagpoles depending on the BANNER size.

Size of Banner (heigh x width)	m ²	Heigh of Flagpole									
		6 m	7 m	8 m	9 m	10 m	11 m	12 m	14 m	16 m	18 m
3,00 x 1,50 m	4,50	24	29	26	27	31	33	33	32	32	29
3,50 x 1,50 m	5,25	28	28	26	27	30	33	33	32	32	29
5,00 x 1,50 m	7,50	28	28	25	26	30	32	32	31	31	28
6,00 x 1,50 m	9,00	28	28	26	26	30	32	32	31	31	28

All calculations in table are based on the tests of SP Technical Research Institute of Sweden and American National Standard ANSI/NAAMM FP1001-07

 – recommended Flag or Banner size.

Data in the tables valid for normal conditions:

1. Temperature of air - 20-25 C
2. relative humidity - up to 65% (raised humidity of air (for example due to strong rain or snow with rain) will reduce maximum allowable wind speed)
3. flagpole mounted on the ground
4. Flag type: horizontal / Banner type: vertical

When flagpole will be installed in extreme conditions (on the hill or on the roof of the building or in a very windy place etc.), please contact the technical department FLAGMORE.

Flagmore AS
Kolu küla, Kose vald, 75121 Harjumaa, Estonia

phone +372 603 6026

fax +372 648 0555

sales@flagmore.com

www.flagmore.com

 Flagmore®